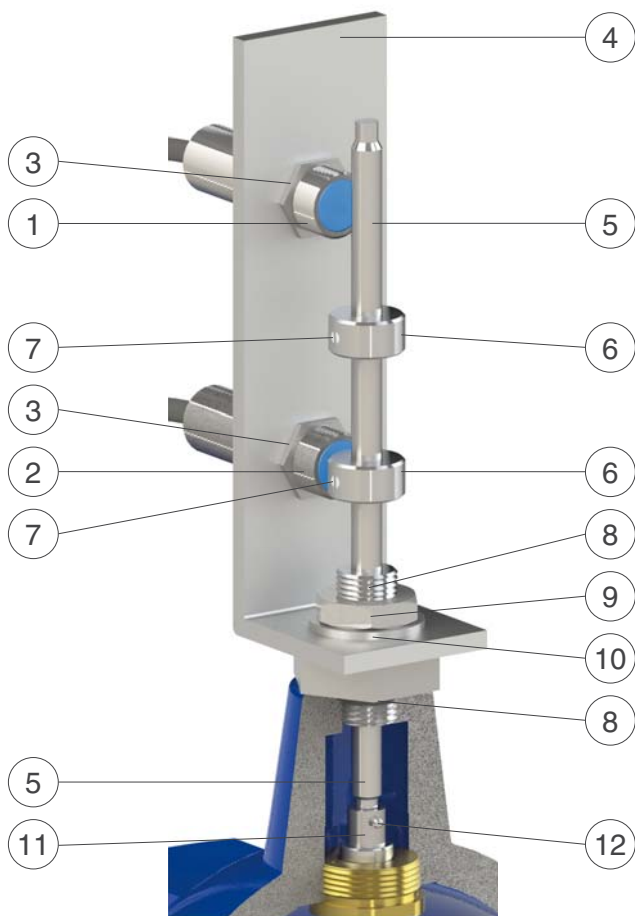


On-off position transmitter assembly

Mod. CSPO

The CSA position indicator assembly model CSPO has been designed to be installed on every XLC control valves series with the purpose of providing on-off signals in relation to one or two points, normally corresponding to the opened and closed positions. The CSPO is operated by means of magnets fixed on the control valve's indication stem whose movement will provide the required signal when going through the sensing area of magnetic inductive proximity sensors, located on a bracket.



N.	Component	Material
1	Open valve proximity sensor	nickel-plated brass
2	Close valve proximity sensor	nickel-plated brass
3	Locking nuts	aluminium
4	Bracket	stainless steel
5	Stem	stainless steel
6	Sensor indicator disks	stainless steel
7	Screws	stainless steel
8	Guiding nut	stainless steel
9	Nut	stainless steel
10	Washer	stainless steel
11	Connecting screw	stainless steel
12	Stop pin	stainless steel

The list of materials and components is subject to changes without notice.

Working conditions

Treated water maximum 70°C.
Maximum pressure: 25 bar.

Standard

Design and testing in accordance with EN 1074.

Technical data

Power supply: 12-24 V DC.
Protection: IP69, IP68.

