



Underground fire hydrant Mod. Plutone 500

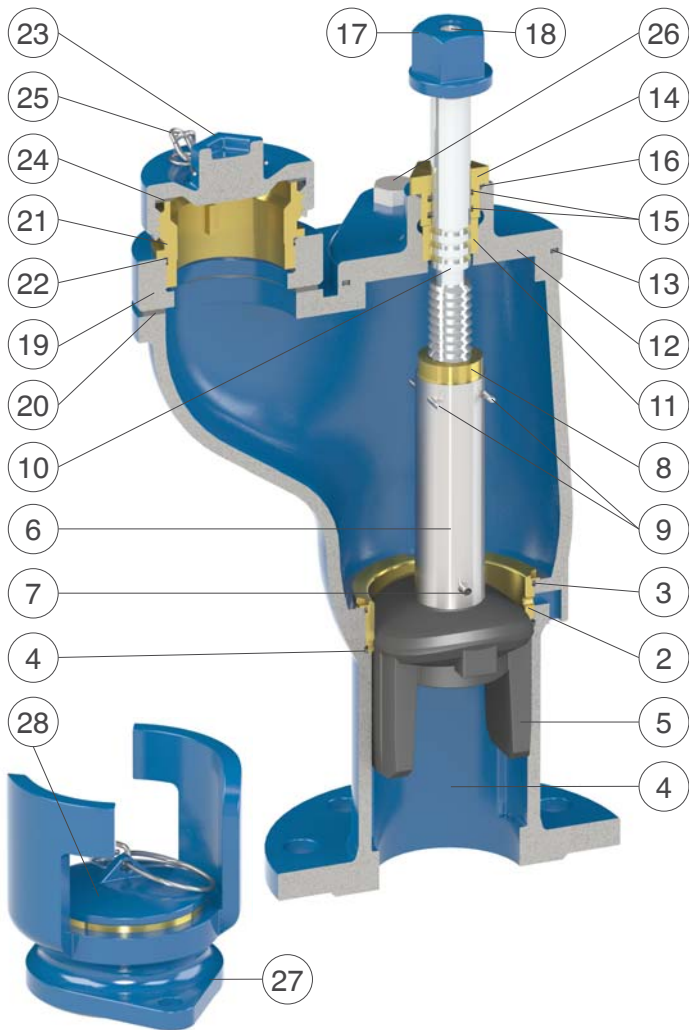
The CSA underground fire hydrant Mod. PLUTONE 500, completely made in ductile cast iron and stainless steel, has been specifically designed for the highest quality standards and long lasting performances. The compact execution with built in anti-freezing drainage system makes it suitable also in areas and locations subject to frost.



Technical features and benefits

- In compliance with the applicable EN standards.
- Compact design with a maximum height of 500 mm.
- Upper and lower bodies in ductile cast iron to guarantee the maximum safety also in case of overpressure and unexpected water hammer events. Internal components in stainless steel.
- The obturator, manufactured in ductile cast iron and covered in vulcanized EPDM, has been studied to reduce water hammer effects and vibrations during closure, and consequently sudden drop in pressure during opening. This is due to the particular conical winged shape and the special housing obtained inside the lower body.
- The sealing is obtained by means of the compression of the rubber of the obturator against the ring in bronze, properly machined with the drainage hole and threaded on the lower part of the hydrant. In comparison with other designs, where a simple flat disk is closing on the metal, CSA solution increases dramatically the reliability and safety assuring a perfect water tightness also in case of high pressure values.
- Anti-leakage system thanks to the winged shape design of the obturator, allowing the water discharge through the drainage anti-freezing hole only when the hydrant is fully closed. During opening and movement of the obturator, in fact, the inlet upstream pressure will never be in contact with the drainage hole ensuring a real anti-leakage system which can never be obtained with flat shutters.
- Painting is carried out by potable water approved epoxy powders, to guarantee the uniform thickness inside and outside of the hydrant with the best quality and durability of coating.

Technical details



N.	Component	Material
1	Body	GJS 500-7
2	Sealing ring	bronze
3	O-ring gasket	NBR
4	O-ring gasket	NBR
5	Wedge	GJS 500-7 and NBR
6	Stand pipe	stainless steel
7	Cotter pin	stainless steel
8	Threaded part	bronze
9	Pins	stainless steel
10	Upper stem	stainless steel
11	Anti-friction washer	brass
12	Bonnet	GJS 500-7
13	O-ring gasket	NBR
14	Hold down nut	brass
15	O-ring gaskets	NBR
16	O-ring gasket	NBR
17	Operating nut	GJS 500-7
18	TCEI screw	stainless steel
19	Connection flange	GJS 500-7
20	Plane gasket	neoprene
21	Fitting	brass
22	O-ring gasket	NBR
23	DN 70 tap	GJS 500-7
24	Plane gasket	neoprene
25	Chain	stainless steel
26	Nuts and bolts	stainless steel
27	Bayonet fitting	GJS 500-7
28	Tap	GJS 500-7

The list of materials and components is subject to changes without notice.

Working conditions

Treated water max. 70°C.

Pressure testing

Test of mechanical resistance with obturator fully open at 25 bar.

Test of mechanical resistance with obturator fully closed at 20 bar.

Standard

Designed in compliance with EN 1074/6 and EN 14339.

Flanges according to EN 1092/2.

Epoxy painting applied through fluidized bed technology blue RAL 5005.

Variations on flanges and painting available on request.

